

Grade II – IV certified
lightweight panels
and doors for flexible
security enclosure
construction



ModuleGuard

BURGLARY-RESISTANT PROTECTION

Key Features

- ModuleGuard security enclosures are certified Grade II – IV by ECB•S in accordance with the EN 1143-1 certification for burglary resistance.
- The rooms also offer approved protection against certain firearms.
- The security enclosures are constructed using modular, lightweight panels.
- The light weight reduces transportation costs, eases installation and allows for placement higher up in buildings where floor loads are limited.
- The modular construction means assembly, disassembly and expansion of a room is both quick and easy.
- The security enclosures can be built into the existing structure of a building and customised to meet the required dimensions.
- Possible application are: reinforced protection for cash-counting rooms, archives, storerooms (for weapons, pharmaceuticals), ATMs, etc.
- A series of high-security locking options is available.
- The exterior of the enclosure can be painted or finished with decorative panels. Pre-painted or galvanised version available as an option.



Chubbsafes
Trusted the world over.

SECURITY
ENCLOSURES

Product Specifications

ModuleGuard Doors, Dimensions

Door width (clear opening in mm)	750	900	1050	1200	1350	1500
Door thickness (mm)	75	75	75	75	75	75
Door weight (kg) (door within a room): Grades II & III	490	600	710	820	930	1040
Door weight (kg) (door within a room): Grade IV	580	700	820	935	1050	1170
Door weight (kg) (stand-alone door): Grades II & III	675	785	895	1005	1115	1225
Door weight (kg) (stand-alone door): Grade IV	685	800	935	1070	1200	1335

ModuleGuard Panels, Dimensions (mm)

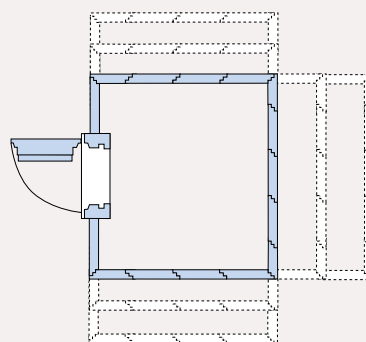
Width	300	600	750	900
Thickness	75	75	75	75
Height	2240	2240	2240	2240
Weight (kg): Grade II/III/IV	69/73/121	137/146/242	171/182/302	206/219/363
Floor load	Floor load depends on the size of the enclosure.			

Minimum Room Measurements

To be certified, the room must be six-sided and fulfil minimum dimensions as given to the right.

Minimum room measurements (mm)	External	Internal
Height	2290	2140
Width	2445	2295
Depth	1545	1395
Weight (kg)	3000	

The specifications given are the minimum size for a certified ModuleGuard enclosure. They are based on a Grade III enclosure and a door with a clear opening width of 900mm. Larger sizes can be made to order. Please note, for extra large dimensions, an additional frame structure may be required for support.



Burglary Testing

ModuleGuard has been approved by ECB•S in accordance with the European standard, EN 1143-1, for burglary protection in Grades II, III and IV.

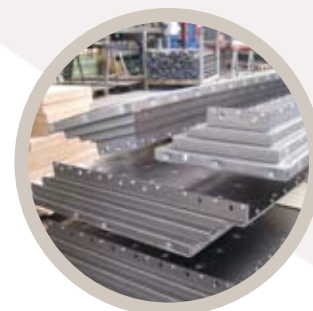
A range of attack tools were used to test ModuleGuard's level of resistance, from basic tools, such as drills and sledgehammers, to more sophisticated thermal and electrical equipment, like the oxyacetylene torch.

ModuleGuard has also been granted Grade 4 level according to the EN 1627-1630 standard. It has also undergone certified ballistics test and has been certified level FB4 in accordance with EN 1522.

Locks

Z03 D-drive, SafeLock series, LG 33E, LG 66E, LG 1947, S&G 6731, Kaba Mauer 70076.

Authorised dealer:



Chubbsafes
Trusted the world over.

www.chubb safes.com

'Chubb' is owned by Chubb plc and is a registered trademark used under license